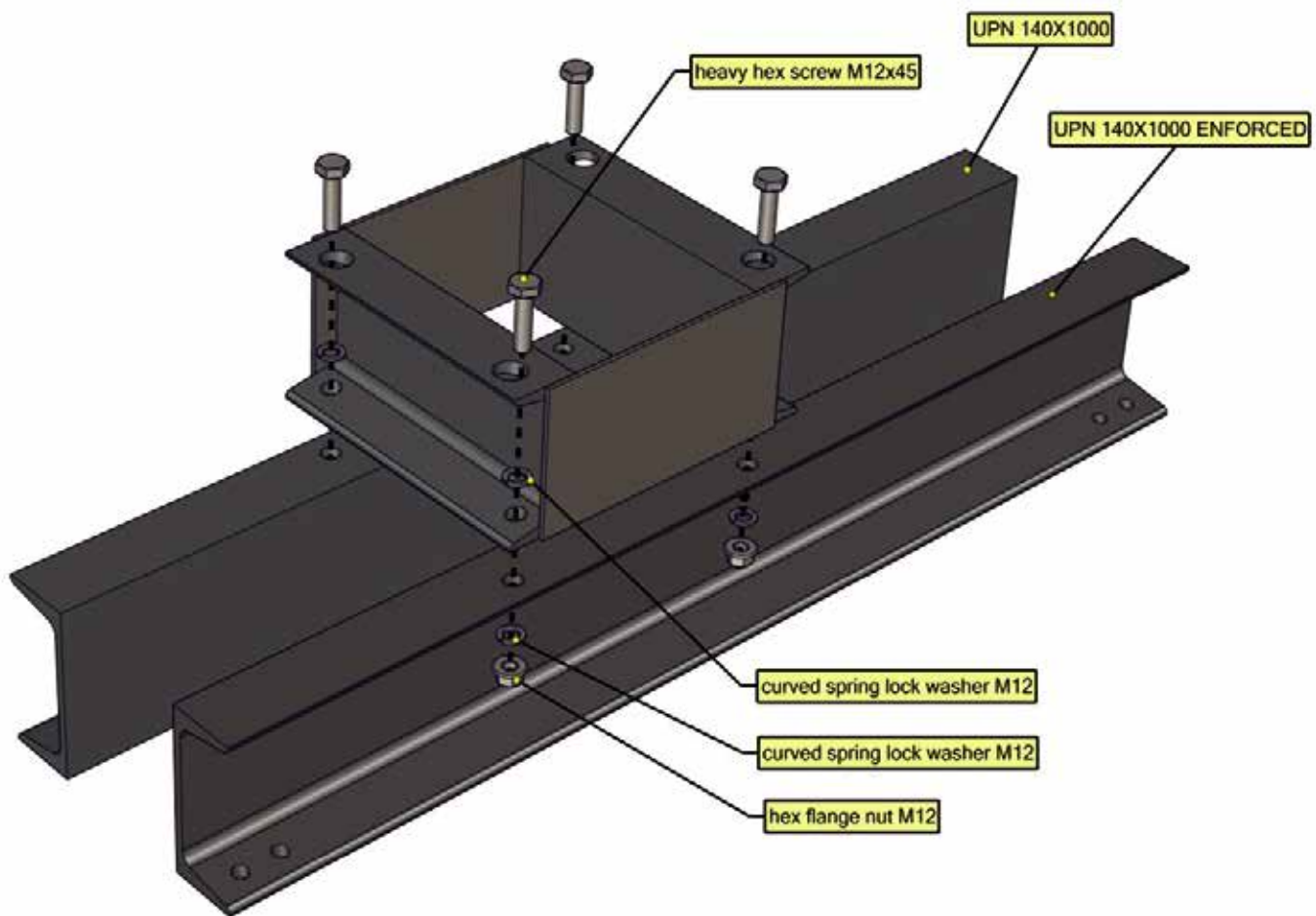


ITG BED PLATE ASSEMBLY INSTRUCTIONS

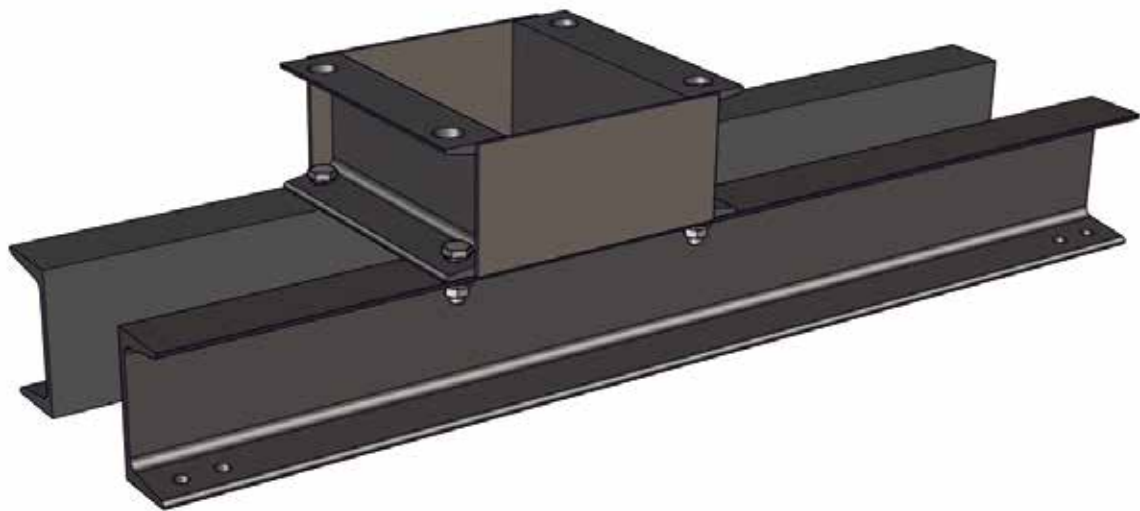


STEP 1

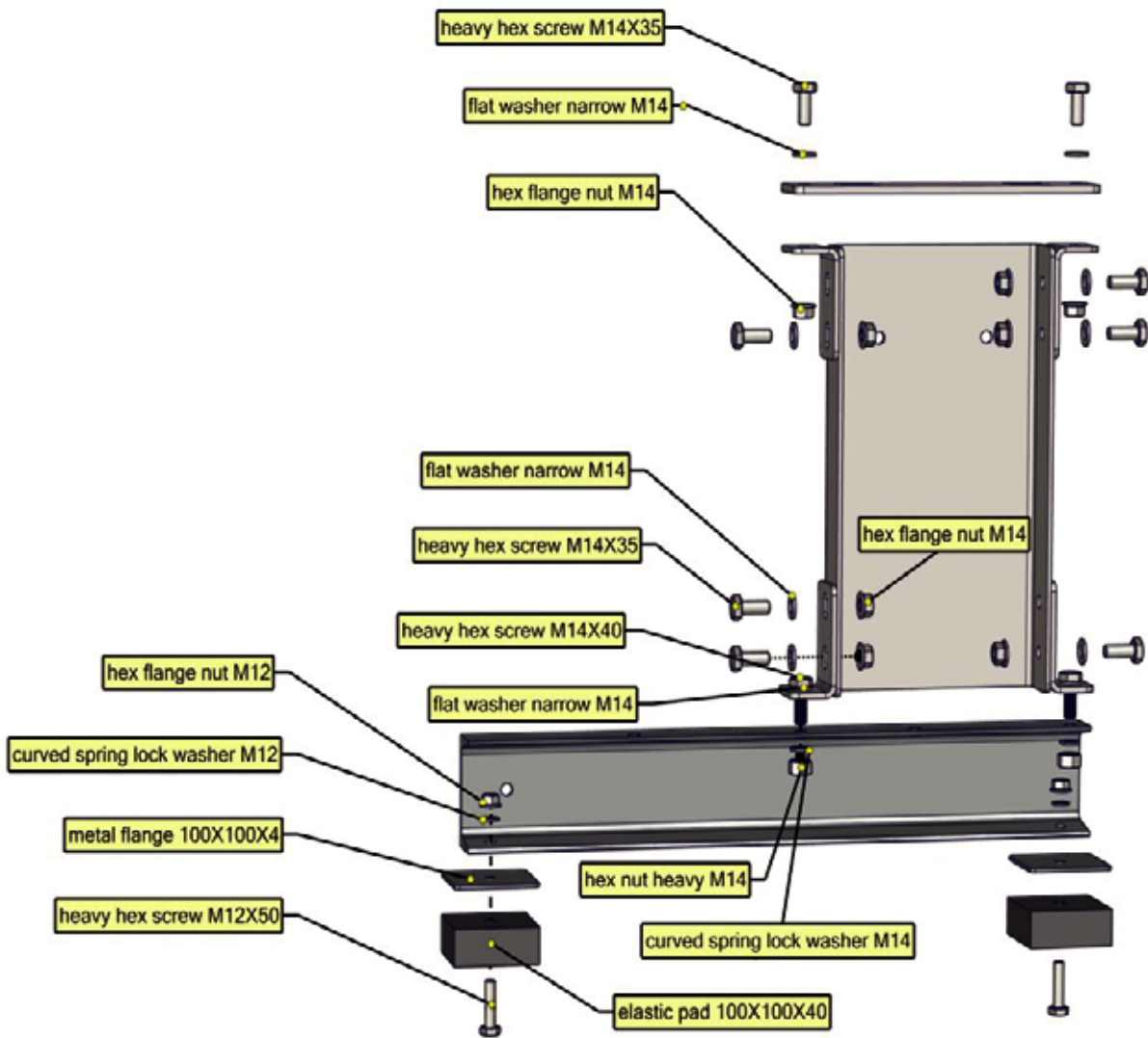
***IMPORTANT ! Leave the screws loose during the assembly procedure,so the parts will take their place easily.
After you accomplish the assembly then you tighten.***



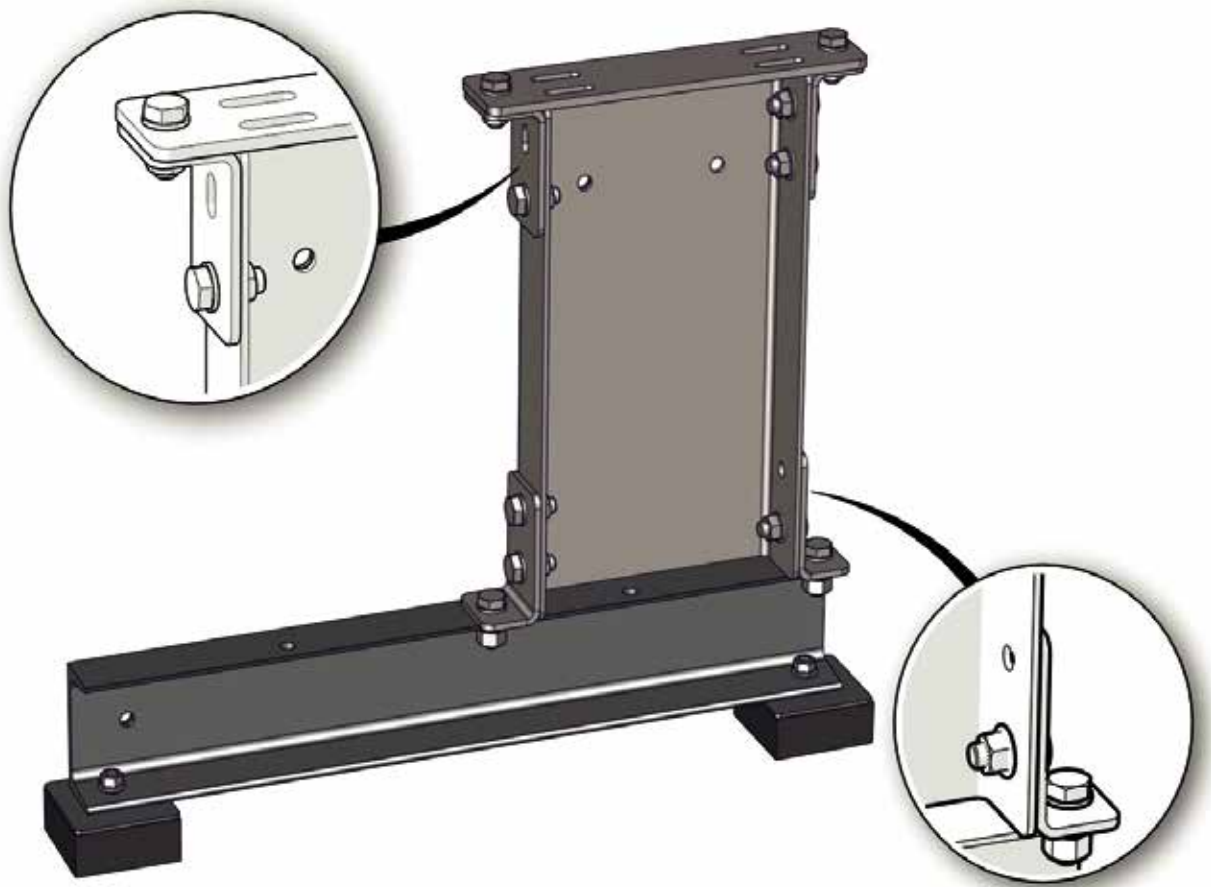
RESULT STEP 1



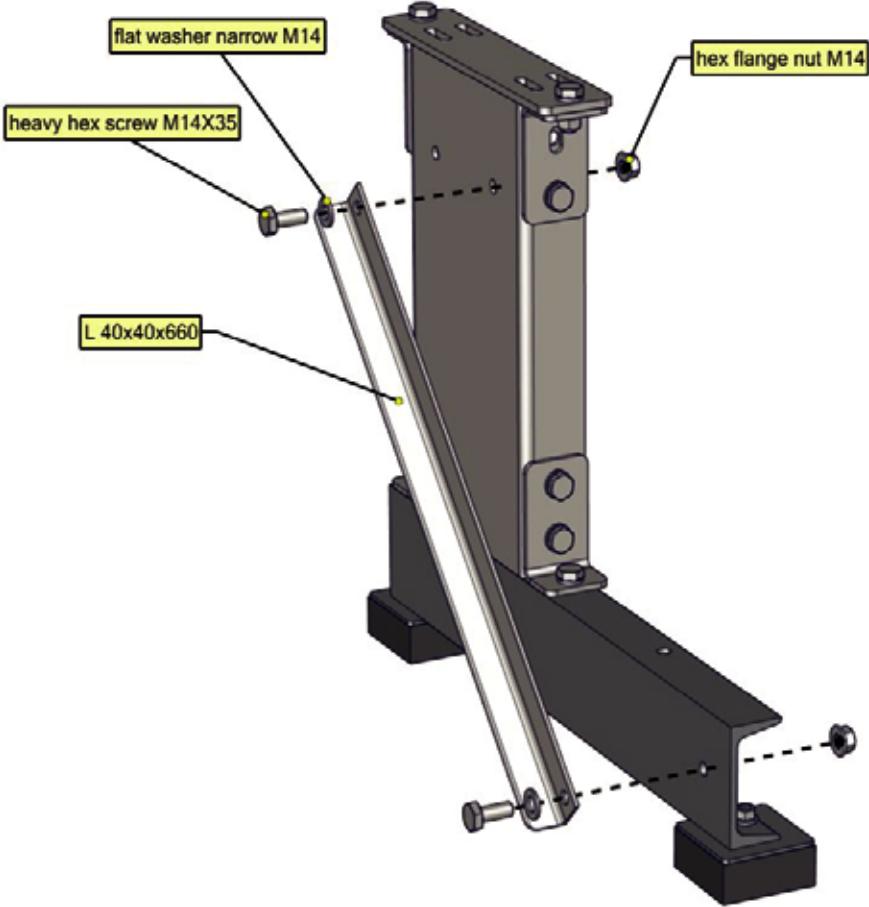
STEP 2



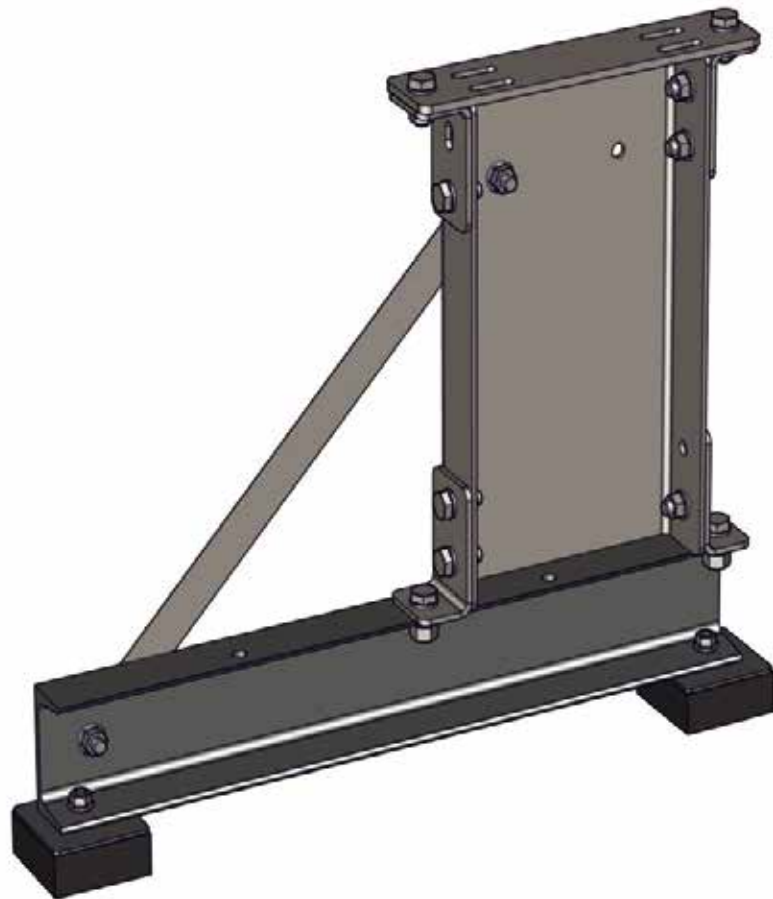
RESULT STEP 2



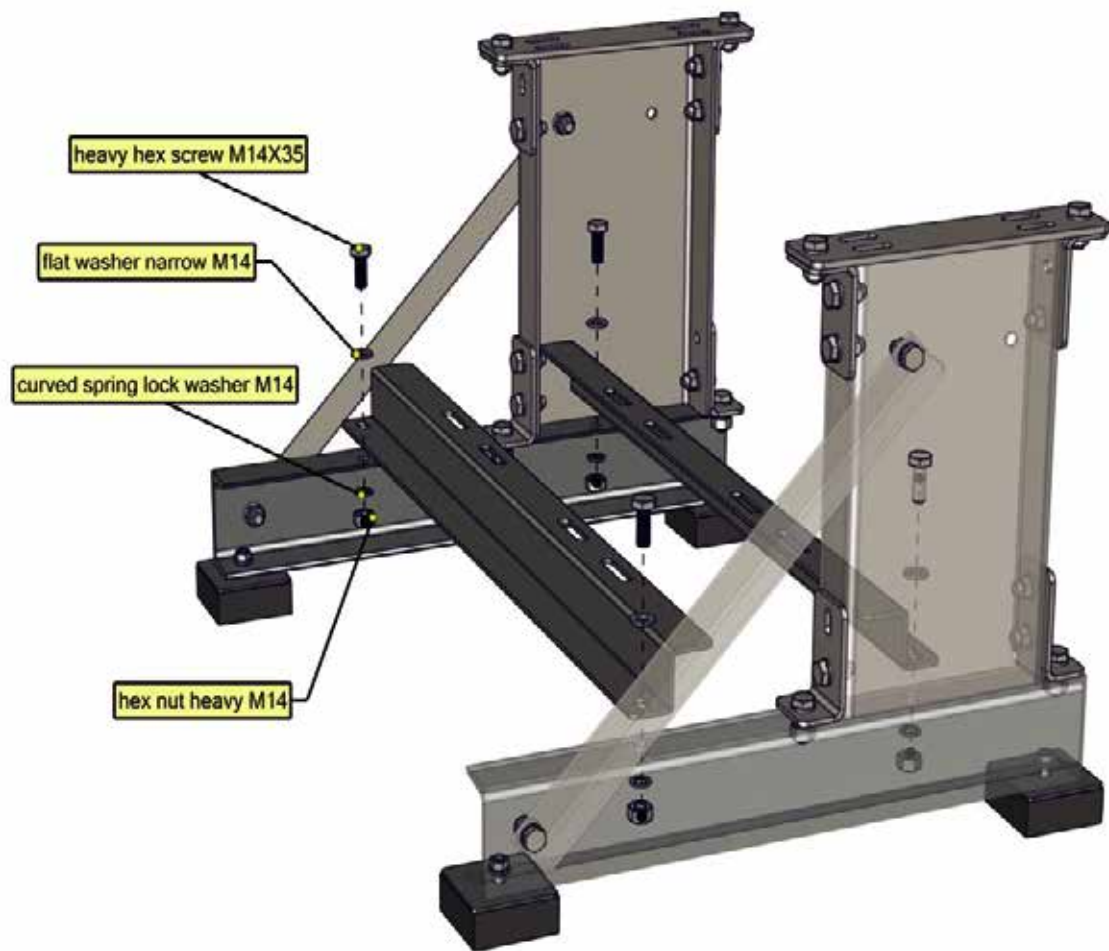
STEP 3



RESULT STEP 3



STEP 4



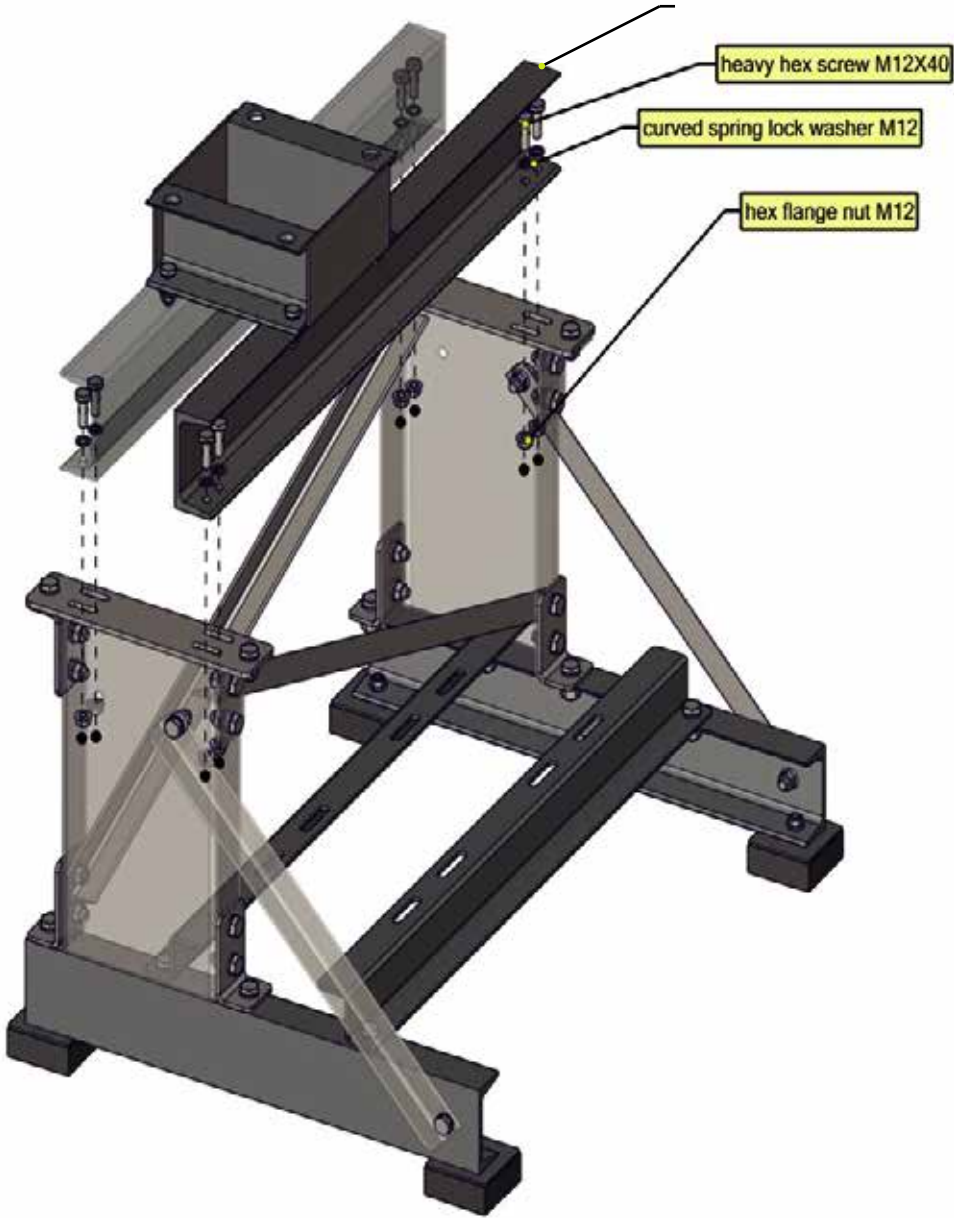
STEP 5



RESULT STEP 4-5



STEP 6



FINAL RESULT

